

UTK-621

21.5" Kiosk

UTK-621A ROCKCHIPS RK3288 A17

UTK-621D Intel® Celeron® J1900



Features

- ARM/X86 dual hardware platform optional.
- Android/Windows dual system optional.
- 80mm Thermal printer.
- Full cut/half cut paper optional.
- Flexibility for mounting : Wall/Floor
- Web camera/ HD face recognition camera optional.
- Rich peripherals optional.
- Color customer designation.



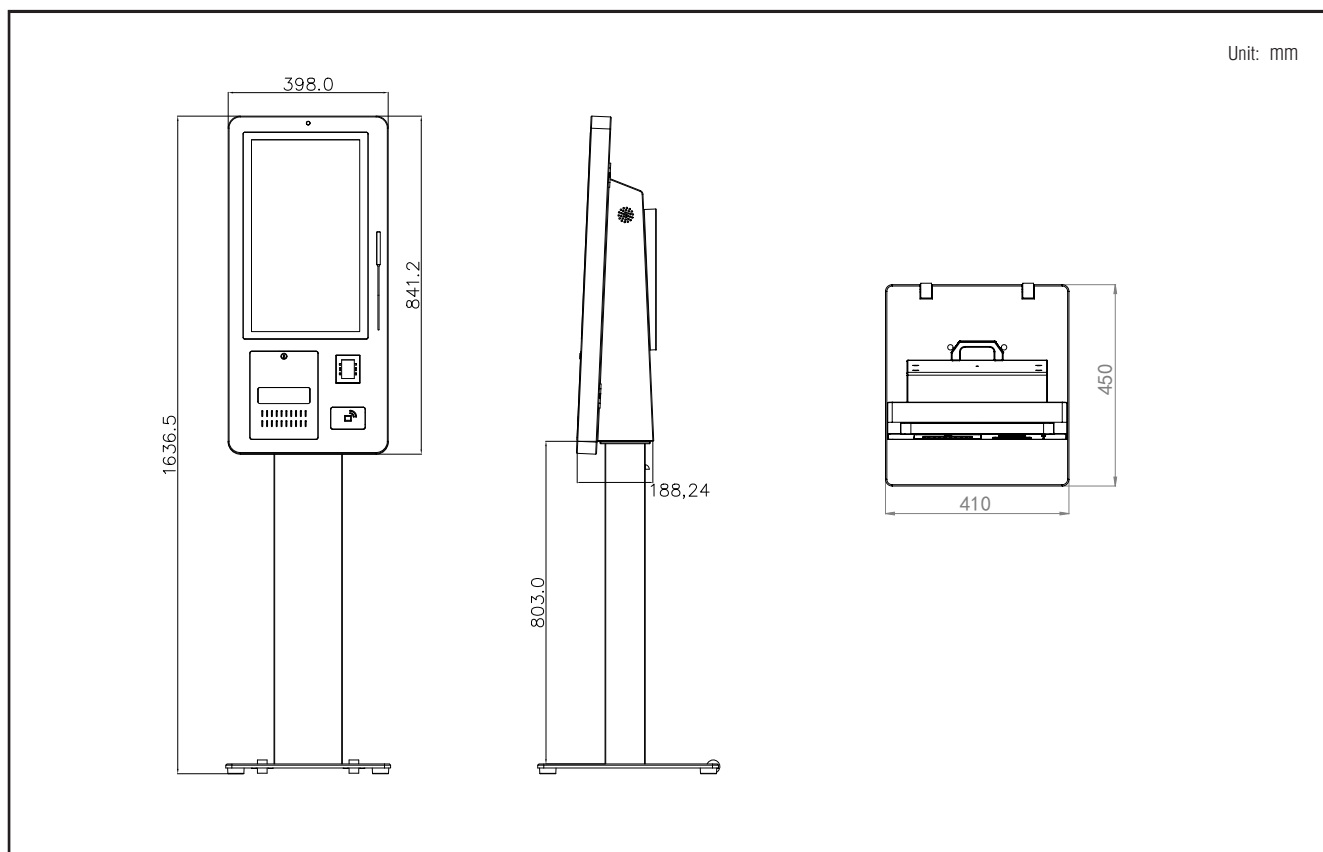
Product Description

UTK-600 Series is an intelligent and fanless self-service system. Powered by the Intel® Celeron® Quad Core J1900 or RK3288 ARM CPU . These low-power platforms provide energy-efficient and environmentally responsible solutions, as well as multiple peripherals optional, to serve different industrial fields.

Product Specifications

		Android	X86
The Host	CPU	RK3288 A17 Quad 1.8 GHz	Intel J1900 2GHz up to 2.42GHz
	RAM	2GB	1xSO-DIMM DDR3L 1333 MHz
	Storage	8G EMMC FLASH	1x2.5 internal SATA HDD bay 3 x
	COM	2 x COM ports	COM ports
	USB	3 * USB HOST + 4 * USB Socket	5x USB 2.0 port
	Interface	VGA+HDMI+LVDS	VGA+HDMI
	Network	RJ45 Gigabit Ethernet/WIFI*	
Panel	Size	21.5" TFT	
	Contrast	3000:1	
	Brightness	250cd/m2	
	Resolution	1080*1920	
	Response time	18 ms	
Touch screen	Viewing angle	178° /178°	
	Model	Projected Capacitive Touch Panel	
OS	Transparency	88 ± 2%	
		Android 6.0	WES 7P 32BIT&64BIT/Windows Pro Embedded 7 SP1 64bit/Win 10 IoT
Thermal Printer	Paper	80mm thermal paper , max print width 72mm	
	Storage	Page mode: 8MB Non-page mode: 32KB	
	Print speed	250mm/s	
	Print Resolution	203dpi	
Camera		5.0 million Web camera*	
Scanner	Reading Type	Standard 1D/2D code reading	
	Image sensor	0.3 million pixels CMOS Sensor	
Card reader		RFID/NFC/MSR*	
Speaker		10W*2 Active loudspeaker	
Environment	Operating Temperature	0 ~ 40°C (32 ~ 104°F)	
	Storage Temperature	10 ~ 95% @ 40°C	
	Vibration During Operation	0.5G	
	Shock During Operation	With HDD: 10 G, IEC 60068-2-27, half sine, 11 ms duration	
	EMC/Safety	CCC	
Power	Input	100-240V 4.5A AC	
Mechanical	Dimensions (W x H x D)	410 x510 x 1685 (mm)	
	Weight	50kg	

Dimensions



Ordering Information

Part No.	Description
UTK-621AP-SFK0E	21.5",kiosk,Android,RK3288,2G,8G,MSR,RFID,white
UTK-621DP-SFK0E	21.5",kiosk,J1900,4G,64G,MSR,RFID,white

Installation Accessory

Part No.	Description
UTK-621-FSTAND0E	Floor stand for UTK-621,Black.
UTK-621-BSTAND0E	Base stand for UTK-621,Black.
UTK-621-WMOUNT0E	Wall mount for UTK-621, White.